

### Model No.: **PX625A**

**Description** : Alkaline High Voltage Battery

**Nominal Voltage** : 1.5Volts

**Nominal Dimensions** : Ø15.60mm×5.95mm

**Applications** : Electronic toys, camera,...etc.

**Average Weight** : 2.9g

**Date Code** : Unless otherwise specified, each batteries will carry a numeric year code and analogue month code

**Shelf Life** : Not less than 90% of the service capacity within first year. , not less than 85% of the service capacity with third year storage at  $20 \pm 2 \text{ }^\circ\text{C}$  45-75 %RH

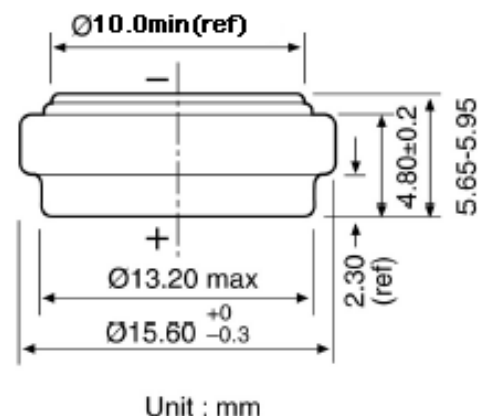
**Close Circuit Voltage** : 1.35 Volts (min.)(load resistor 100Ω at  $20 \pm 2 \text{ }^\circ\text{C}$  for 0.1 to 2 seconds)

**Nominal Service Life** : 18hrs (at 125Ω load)  
(to 0.9V at  $20 \pm 2 \text{ }^\circ\text{C}$ )

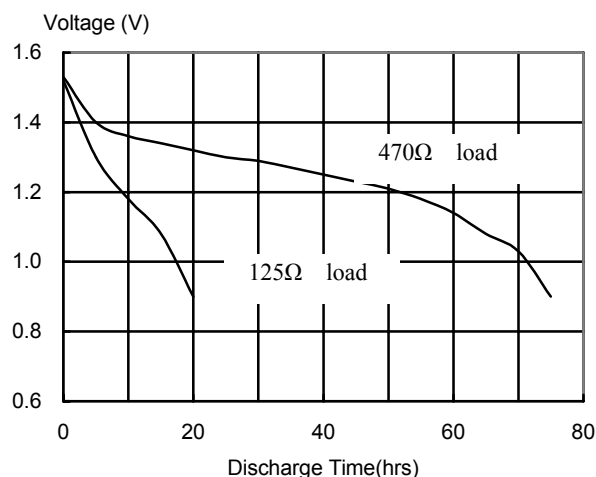
**Average Service Capacity** : 190mAh(at 470Ω load)  
(to 0.9V at  $20 \pm 2 \text{ }^\circ\text{C}$ )

**Cross References:**

IEC	JIS	Duracell	Varta
LR9	LR9	PX625A	V625U



**Typical Discharge characteristics at  $20 \pm 2 \text{ }^\circ\text{C}$**



The information (subject to change without prior notice) contained in this document is for reference only and should not be used as a basis for product guarantee or warranty. For applications other than those described here, please consult your nearest GP Sales and Marketing Office or Distributors.